

# OWNER'S MANUAL

## *C5 - 653*

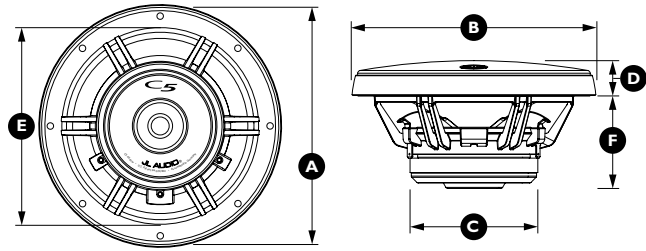
### 6.50-inch (165 mm) 3-Way Component System

*Thank you for choosing a JL Audio Evolution™ C5 Component System  
for your automotive sound system.*

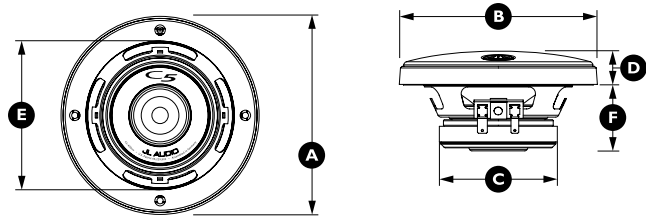
*These Evolution™ Speakers have been designed and manufactured to  
exacting standards in order to ensure years of musical enjoyment in your  
vehicle. For maximum performance, we highly recommend that you  
have your new speakers installed by an authorized JL Audio dealer. Your  
authorized dealer has the training, expertise and installation equipment  
to ensure optimum performance from this product. Should you  
decide to install the speakers yourself, please take the time  
to read this manual thoroughly so as to familiarize yourself  
with its installation requirements and setup procedures.*

*If you have any questions regarding the instructions in this  
manual or any aspect of your amplifier's operation, please contact your  
authorized JL Audio dealer for assistance. If you need further assistance,  
please call the JL Audio Technical Support Department  
at (954) 443-1165 during business hours.*



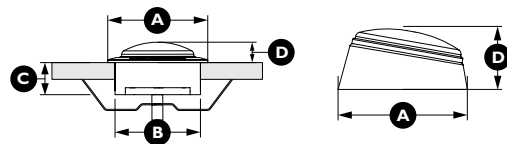


Woofer Physical Dimensions	
<b>Frame Outer Diameter (A)</b>	6.52 in. / 165.5 mm
<b>Grille Tray Outer Diameter (B)</b>	6.76 in. / 171.7 mm
<b>Magnet Outer Diameter (C)</b>	3.54 in. / 90.0 mm
<b>Frontal Grille Protrusion (D)</b>	0.98 in. / 24.9 mm
<b>Mounting Hole Diameter (E)</b>	5.56 in. / 141.2 mm
<b>Mounting Depth (F)</b>	2.54 in. / 64.6 mm



Midrange Physical Dimensions	
<b>Frame Outer Diameter (A)*</b>	3.94 in. / 100.0 mm
<b>Grille Tray Outer Diameter (B)</b>	4.76 in. / 121.0 mm
<b>Magnet Outer Diameter (C)</b>	2.83 in. / 72.0 mm
<b>Frontal Grille Protrusion (D)</b>	0.83 in. / 21.1 mm
<b>Mounting Hole Diameter (E)</b>	3.625 in. / 92.1 mm
<b>Mounting Depth (F)</b>	1.62 in. / 41.1 mm

\*Does not take into account Mounting Tabs



Tweeter Fixture Physical Dimensions	Flush-Mount	Surface-Mount
<b>Fixture Outer Diameter (A)</b>	1.75 in. / 44.5 mm	1.61 in. / 40.9 mm
<b>Fixture Mounting Hole Diameter (B)</b>	1.50 in. / 38.1 mm	N/A
<b>Fixture Mounting Depth (C)</b>	0.56 in. / 14.2 mm	N/A
<b>Tweeter Frontal Protrusion (D)</b>	0.36 in. / 9.1 mm	0.87 in. / 22.1 mm

### C5-653 SPECIFICATIONS:

**Woofers:** Cast Alloy Frame, Patented Elevated Frame Cooling (U.S. Patent #6,219,431 & #6,229,902), DMA-Optimized Motor System, Mineral-Filled Polypropylene Cone, Butyl Rubber Surround, 1-in. / 25 mm Voice Coil, Kapton® Former, Low-Profile, Symmetrical Roll Spider, Ferrite Magnet

**Midrange Drivers:** DMA-Optimized Motor System, Mineral-Filled Polypropylene Cone, Butyl Rubber Surround, 1-in. / 25 mm Voice Coil, Kapton® Former, Low-Profile, Symmetrical Roll Spider, Ferrite Magnet

**Tweeters:** 0.75 in. / 19 mm Silk Soft Dome RSR Variable-Angle Flush-Mount System, Ferrofluid Cooling and Damping, Neodymium Magnet

**Crossover Networks:** 3-way network with 2nd order low-pass, 2nd order bandpass and 2nd order high-pass circuit, premium capacitors and inductors, 4-position adjustable tweeter output level, 3-position midrange presence control, Polyswitch tweeter protection

**Continuous Power Handling:** 75 Watts (RMS Method)

**Peak Music Power:** 225 Watts

**Recommended Power Range:** 25-150 Watts (RMS)

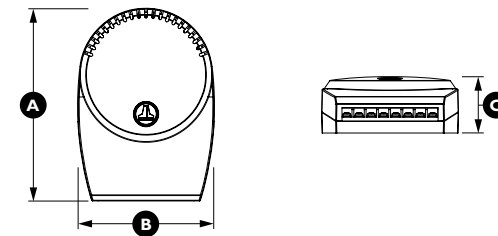
**Frequency Response:** 48 Hz - 25 KHz (± 3 dB)

**Efficiency @ 1W/1m:** 89.5 dB @ 1W/1m

**Nominal Impedance:** 4 ohms

### Included Components and Parts:

- Two C5-650cw 6.50-inch (165 mm) Woofers
- Two C5-400cw 4.0-inch (100 mm) Midrange Drivers
- Two C5-075ct 0.75-inch (19 mm) Tweeters
- Two C5-653-XO Crossover Networks
- Two Flush-Mount Tweeter Fixtures
- Two Surface-Mount Tweeter Fixtures
- Two Metal Spring Clips for Flush-Mount Tweeter Fixtures
- Two Metal Woofer Grilles with ABS Grille Trays
- Two Metal Midrange Grilles with ABS Grille Trays
- Two ABS Midrange Frame Adaptors and Flush-Mount Rings
- Four Self-Adhesive JL Audio Nameplates for Grilles
- Butyl Adhesive Putty for Woofer Grilles
- Twenty #8 x 1.25 inch (32 mm) Sheet Metal Screws
- Sixteen #8 Mounting Clips
- Eight #6 x 1.25 inch (32 mm) Sheet Metal Screws
- Eight #6 Mounting Clips
- Two 1.18-inch (30 mm) Machine Screws
- Four #6 x 1-inch (25 mm) Sheet Metal Screws
- Sixteen Crimpable Spade Connectors
- Four 6.4 mm Female Crimpable Connectors
- Six 4.7 mm Female Crimpable Connectors
- Two 2.8 mm Female Crimpable Connectors
- Four 2.8 mm Male Crimpable Connectors



Crossover Network Physical Dimensions	
<b>Height (A)</b>	5.86 in. / 148.9 mm
<b>Width (B)</b>	4.17 in. / 105.8 mm
<b>Depth (C)</b>	1.68 in. / 42.8 mm

## GETTING STARTED

- Turn off the audio system. It is also advisable to disconnect the negative (-) terminal of your vehicle's battery whenever performing installation work.
- Before cutting, drilling or inserting any screw, check clearances on both sides of the planned mounting surface. Also check for any potential obstacles, such as window tracks and motors, wiring harnesses, etc. Check both sides of the vehicle, many vehicles are not symmetrical!
- Always wear protective eyewear.

## CROSSOVER NETWORK INSTALLATION

The crossover networks supplied with your C5 System should be installed in a dry location inside your vehicle. **DO NOT INSTALL THEM INSIDE OF A DOOR!** Doors often get wet on the inside, which can damage your crossover networks and could potentially damage your entire sound system. The crossovers can be screwed into a solid surface via two holes located under the protective cover of the case. To access these holes, simply squeeze the sides of the cover while gently pulling the cover away from the base. Make sure that your mounting location will not cause damage to wiring, fuel lines, brake lines or any other vital component of your vehicle. Once you have screwed the case in and made your connections, snap the protective cover back into place.

## !! WARNING

It is absolutely vital that your component system is connected as shown in this manual. Failure to connect the system as shown may result in damage to your speakers which is NOT covered under warranty.

Do not substitute different crossover networks into your C5 System. Do not use crossover networks intended for different C5 models.

## TWEETER PROTECTION

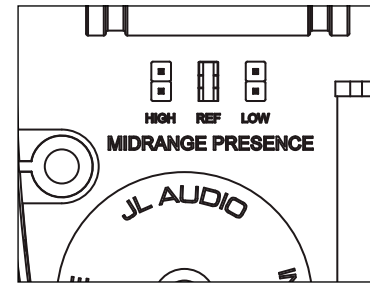
The C5 crossover networks are equipped with an advanced electronic tweeter protection circuit designed to minimize the possibility of tweeter failure. This electronic device monitors current going to the tweeter and will disconnect the tweeter from the signal when it senses overload. Should this occur while listening to the audio system, simply reduce the volume for a few seconds and the protection circuit will reset itself automatically.

## CROSSOVER NETWORK ADJUSTMENT

The crossover networks have been designed to allow tonal adjustments to the upper midrange response and tweeter level. These adjustments make it possible to fine-tune your system to suit your listening preferences and to compensate for various speaker mounting applications.

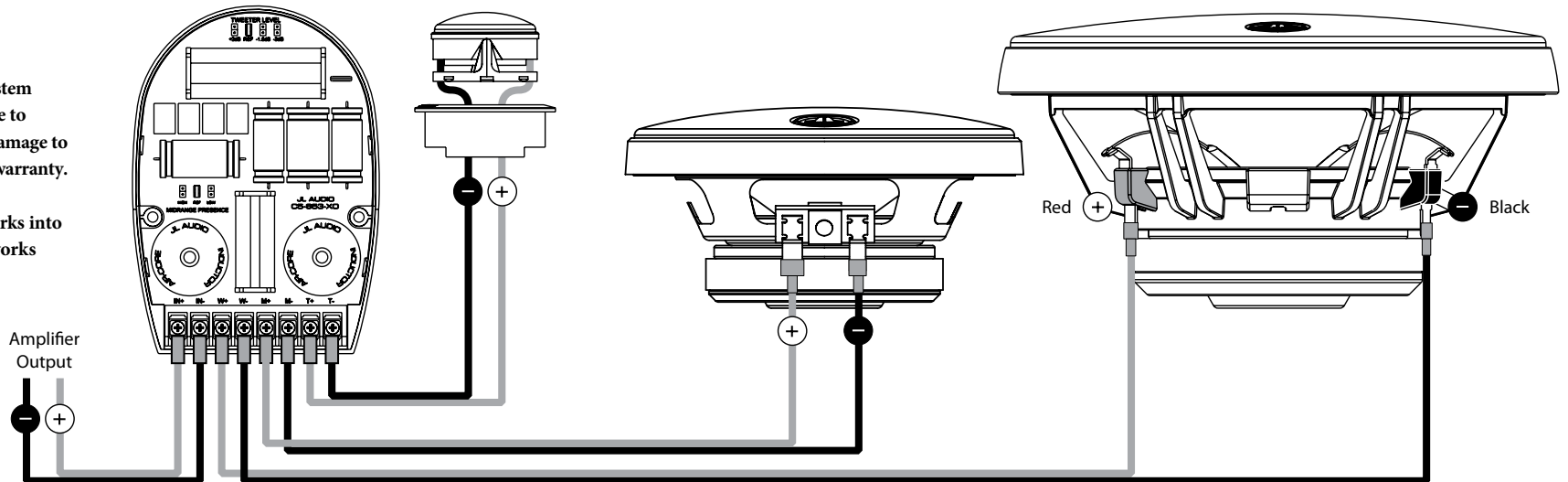
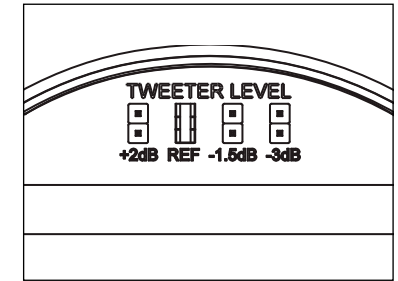
## ADJUSTABLE MIDRANGE PRESENCE

Your C5 crossover networks provide a unique midrange presence control, located under the cover. The midrange presence is selectable via a set of pins and allows for three settings. These settings affect the amplitude of the upper midrange response of the C5 component woofer. We recommend that you begin your listening in the "REF" (Reference) and adjust up or down as needed to compensate for mounting location, orientation or personal taste.



## ADJUSTABLE TWEETER LEVEL

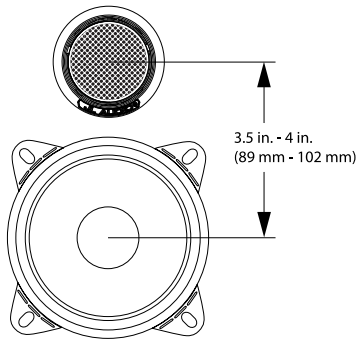
C5 crossover networks also provide four levels of tweeter adjustability designed to compensate for different mounting locations, vehicle interiors and personal taste. These levels are selectable via a set of pins located under the clear cover of each crossover case. We recommend that you begin listening in the "REF" (Reference) position. To find the optimum tonal balance in your installation, experiment with alternate tweeter level settings by moving the pins. It is safe to switch jumpers while the system is playing.



## SPEAKER PLACEMENT CONSIDERATIONS

A component system gives you the ability to place the woofer, midrange and tweeter separately in your vehicle interior. This can be good or bad, depending on how it's done.

The C5-653 system has been optimized for installations in which the midrange and tweeter drivers for each channel are mounted as close together as possible on the same mounting plane (such as a kick panel installation as illustrated in Diagram B). This type of mounting will result in the best tonal balance and most coherent imaging. The center to center separation of the midrange and tweeter should be between 3.5 inches (89mm) and 4 inches (102mm). Any separation greater than 4 inches (102mm) from center to center of each driver is likely to result in degraded sound quality. We do not recommend mounting the tweeters in a different location than the midrange driver (Diagram A).



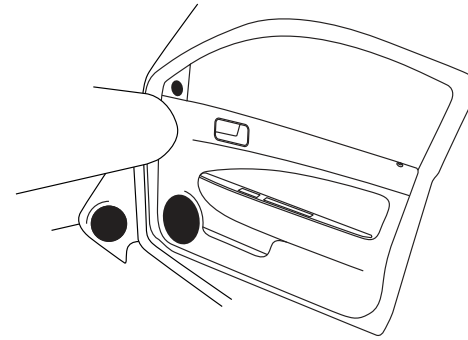
Avoid placing tweeters where they will be blocked by objects in the interior of the car (including seated occupants). When selecting a mounting location, look at both sides of the car to make sure that this location is clear on both sides.

The 6.5 inch (165mm) woofers will usually be placed into factory speaker locations and can be separated from the midrange and tweeter by as much as 18 inches (46 cm), without degrading sound quality. For proper low-frequency performance, the woofers need a fairly large air space behind them (like the air inside of a door). Enclosing the C5-650cw woofers in spaces smaller than 1 cu.ft (28 liters) is not recommended if optimum low-frequency and midbass performance is desired.

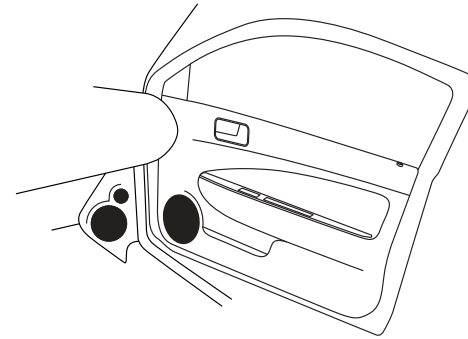
We do not recommend mounting the woofer and midrange into the same enclosed environment, as this will cause energy from the woofer to modulate the midrange driver, resulting in distortion and coloration of the sound. If you are mounting the mids and woofers into the same environment, you will need to sub-enclose the midrange speakers in an enclosure with a minimum of 0.08 cu.ft. (2.3 liters). This guideline also applies to any other enclosed application of the midrange driver:

Enclosures smaller than 0.08 cu.ft (2.3 liters) will alter the frequency response of the midrange driver and result in degraded sound quality.

## DIAGRAM A: LESS DESIRABLE SPEAKER PLACEMENT



## DIAGRAM B: MORE DESIRABLE SPEAKER PLACEMENT



## !! WARNING

Double check the clearance for both speakers before proceeding. Many cars are different from one side to the other!

### WOOFER INSTALLATION

The woofers should be installed in one of the following ways depending on location:

**Factory Location:** If you will be using the factory speaker wires, it may be necessary to change the terminations. This may be accomplished by using an adaptor plug or simply by cutting the factory connector off and using the supplied crimp connectors to terminate the speaker wires. The large connector is for the positive (+) terminal and the small connector is for the negative (-) terminal of each woofer. Keep in mind that the woofer wires must be connected to the woofer outputs of the crossovers supplied with your system as shown in the diagram on page 5. If you prefer to run new wires, refer to the “Custom Location” installation section for details. Whichever method you choose, observe correct polarity in your connections. If you are unsure about any of these issues, contact your JL Audio dealer for installation assistance.

Your new speakers have been designed to install, without modifications, into most vehicles that accept a 6.5-inch (160 mm) speaker. Most factory 6.5-inch speakers use four mounting screws which will line up with the mounting holes on your woofers.

It is absolutely vital that the speaker frame fits into the mounting hole cleanly. This must be checked prior to tightening the screws. Do not force the frame into a hole that is too small. Do not tighten the speaker onto an uneven surface. This will damage your speakers. The speaker should also fit so that air does not leak around the mounting flange. Air leaks will cause a severe degradation in sound quality. Seal any air leaks with an automotive-grade sealant material.

Use the supplied mounting clips unless the factory holes already feature threaded inserts. Hand-tighten the screws evenly.

**Custom Location:** Run speaker wire to the desired mounting locations. If you are running wires into a door, use existing factory wiring boots whenever possible. If you are drilling new holes, file their edges and install rubber grommets into each hole. Wires should then be covered with a protective, flexible PVC sleeve and then run through the door jamb. Make sure that the wires will clear door hinges and other structures in the door. If you are unsure about any part of this process, please contact your JL Audio dealer for installation help.

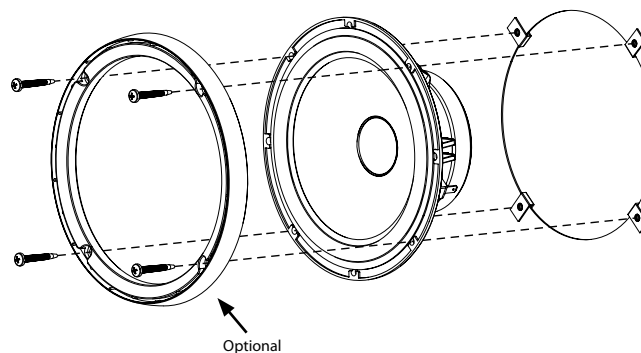
Select an even surface. Tightening a speaker onto an uneven surface can damage it. Carefully measure and mark the “mounting hole diameter” outline in the selected location using the dimensions listed on page 2. Before drilling or cutting on your interior panels, use a utility knife to cut any fabric, vinyl or leather from hole locations. These materials can easily be snagged by a drill or a saw, causing damage to the panel and possible bodily injury. Drill a pilot hole in the center of the proposed speaker mounting hole. Then, using a saber saw with an appropriate blade, make the circular cut out for the speaker. File any rough edges.

After cutting the hole, check to see that the speaker frame fits into its mounting hole cleanly. Do not force the frame into a hole that is too small. Once the speaker is in place, use the holes on the speaker's mounting flange to mark the panel where the four mounting screws will be positioned, as shown in Diagram D. Remove the speaker and drill 1/8-inch (3 mm) holes at each mark. Insert the mounting clips with the flat side towards the speaker. Connect the speaker wires, observing correct polarity, and secure the speaker and grille tray to the panel by evenly tightening by hand the provided #8 x 1.25 inch (32 mm) mounting screws. Make sure the woofer is secured so that air does not leak around the mounting flange. Air leaks will cause a severe degradation in sound quality. Seal any air leaks with an automotive-grade sealant material.

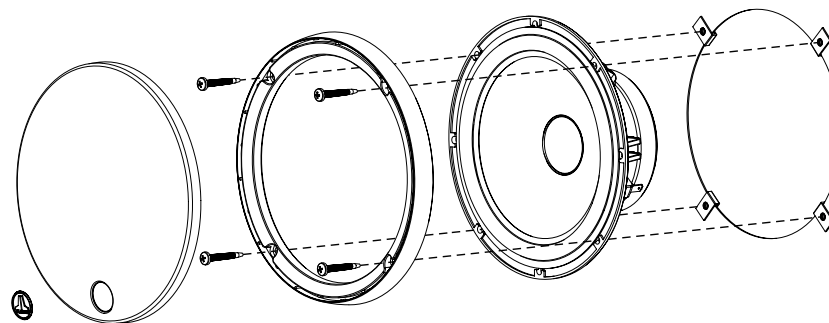
Break off small pieces of the supplied butyl adhesive putty and place them on the inside of each grille tray. This adhesive will hold the grille mesh insert in place firmly and prevent rattling. Insert the grille mesh insert into the grille tray, squeezing gently around its edge until it seats firmly into the tray.

Finally, attach the self-adhesive JL Audio logo badge to the grille mesh insert.

### DIAGRAM C: FACTORY LOCATION WOOFER INSTALLATION



### DIAGRAM D: CUSTOM LOCATION WOOFER INSTALLATION



## !! WARNING

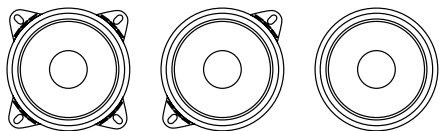
Hand-tighten the screws evenly in a criss-cross pattern to avoid bending the speaker frame or stripping the mounting clips.

## !! WARNING

Double check the clearance for both speakers before proceeding. Many cars are different from one side to the other!

### MIDRANGE INSTALLATION

The midrange drivers should be installed in one of the following ways depending on location:



**Factory Location:** Follow the same wiring procedures outlined for the woofer installation.

The C5-400cm has been designed to install, without modifications, into most vehicles that accept a 4-inch (100 mm) speaker. Most factory 4-inch speakers use four mounting screws which will line up with the mounting holes on your woofers. In most factory locations, it will be necessary to use the supplied Flush Mount Adaptor Rings as shown in the Diagram E on page 11.

Use the supplied mounting clips unless the factory holes already feature threaded inserts. Hand-tighten the screws evenly to avoid bending the speaker frame!

Some vehicles which accept a 4-inch (100 mm) speaker use a two-hole mounting system. This can be easily accommodated by breaking off two of the tabs as shown in the diagram at the top of this page. All four mounting tabs are perforated to permit their removal. Bend each unneeded tab back and forth until it breaks off. Please be careful in handling the speaker after breaking off the tabs as there may be sharp edges.

**Custom Location:** For custom-mounted applications, break off all four mounting tabs and use the supplied Frame Adaptors as shown in the diagrams on page 11. These Frame Adaptors permit for a smaller overall diameter when custom mounting the speakers and must be used in order to install the supplied grilles.

Run speaker wire to the desired mounting locations. If you are running wires into a door, use existing factory wiring boots whenever possible. If you are drilling new holes, file their edges and install rubber grommets into each hole. Wires should then be

covered with a protective, flexible PVC sleeve and then run through the door jamb. Make sure that the wires will clear door hinges and other structures in the door. If you are unsure about any part of this process, please contact your JL Audio dealer for installation help.

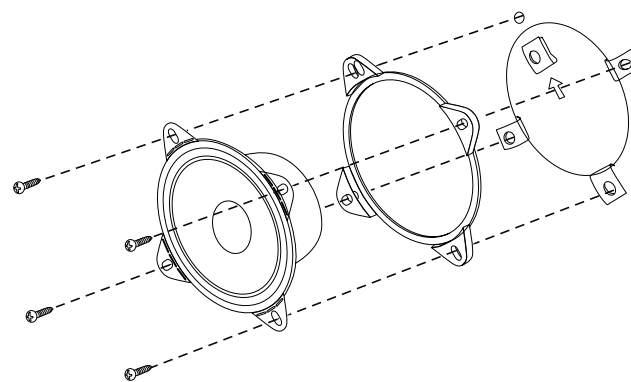
Select an even surface. Tightening a speaker onto an uneven surface can damage it. Carefully measure and mark the “mounting hole diameter” outline in the selected location using the dimensions listed on page 2. Before drilling or cutting on your interior panels, use a utility knife to cut any fabric, vinyl or leather from hole locations. These materials can easily be snagged by a drill or a saw, causing damage to the panel and possible bodily injury. Drill a pilot hole in the center of the proposed speaker mounting hole. Then, using a saber saw with an appropriate blade, make the circular cut out for the speaker. File any rough edges.

After cutting the hole, check to see that the speaker frame fits into its mounting hole cleanly. Do not force the frame into a hole that is too small. Once the speaker is in place, use the holes on the speaker's grille tray to mark the panel where the four mounting screws will be positioned, as shown in Diagram F. Remove the speaker and drill 3/32-inch (2.4 mm) holes at each mark. Insert the #6 mounting clips with the flat side towards the speaker. Connect the speaker wires, observing correct polarity, and secure the frame adaptor, speaker and grille tray to the panel by evenly tightening by hand the provided #6 x 1.25 inch (32 mm) mounting screws. Make sure the midrange driver is secured so that air does not leak around the mounting flange. Air leaks will cause a severe degradation in sound quality. Seal any air leaks with an automotive-grade sealant material.

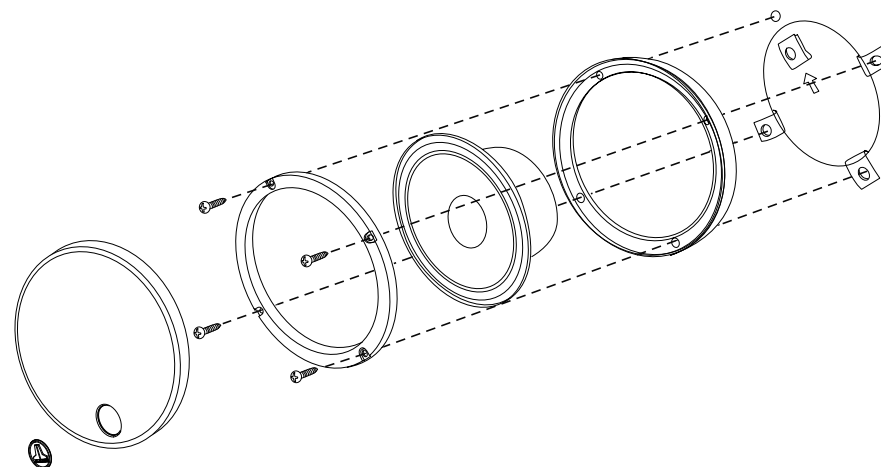
Break off small pieces of the supplied butyl adhesive putty and place them on the inside of each grille tray. This adhesive will hold the grille mesh insert in place firmly and prevent rattling. Insert the grille mesh insert into the grille tray, squeezing gently around its edge until it seats firmly into the tray. Finally, attach the self-adhesive JL Audio logo badge to the grille mesh insert.

You may also choose to install the midrange drivers using the Frame Adaptors with no grille tray. This can be useful for applications where a custom grille is being fabricated and will result in a smaller overall mounting diameter than the standard tab-mount system as shown in Diagram G on page 11.

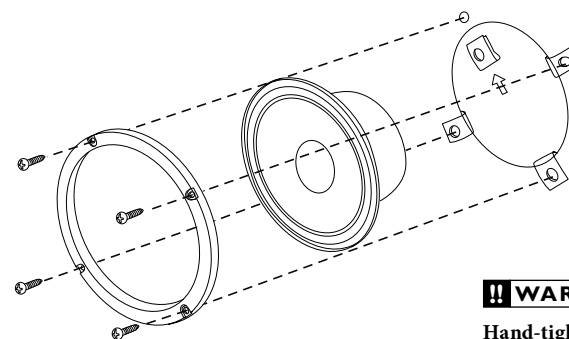
### DIAGRAM E: FACTORY LOCATION WOOFER INSTALLATION



### DIAGRAM F: CUSTOM LOCATION WOOFER INSTALLATION



### DIAGRAM G: CUSTOM LOCATION WOOFER INSTALLATION



## !! WARNING

Hand-tighten the screws evenly in a criss-cross pattern to avoid bending the speaker frame or stripping the mounting clips.

## TWEETER INSTALLATION

First, run speaker wires from the tweeter output of the crossover (see diagrams on page 5) to the desired tweeter mounting locations, observing the same precautions as mentioned in the woofer installation section. Terminate the wires with the supplied 2.8 mm male crimpable connectors.

## TWEETER FIXTURE INSTALLATION

The dome tweeters supplied with your C5-653 system have been designed for maximum mounting versatility. There are two primary methods by which the tweeters can be mounted in your vehicle:

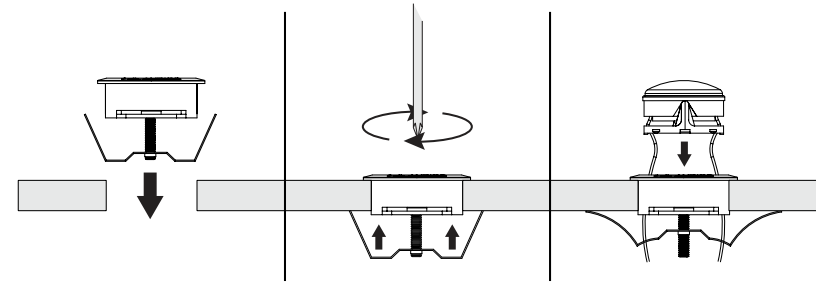
**Flush-Mount:** For tweeter integration in a clean, unobtrusive manner, you will use the supplied flush-mount cups. This compact mounting fixture is installed using the method illustrated in Diagram H and requires a mounting hole with a diameter of 1.50 in. (38.1 mm).

At least 3/4-inch (19 mm) of clearance is required behind the mounting surface of the tweeter for the spring clips and 1.18-inch machine screws used in mounting the fixture. It may be necessary in some limited depth applications to cut down the length of the machine screw, or to use a shorter screw (not supplied). Hand-tighten the machine screw until the fixture is secure.

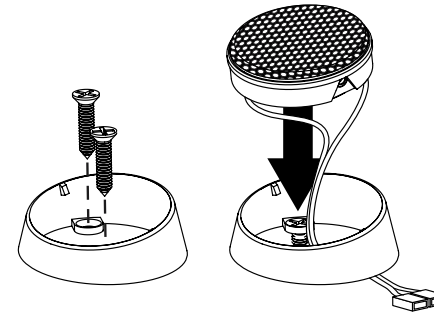
**Surface-Mount:** In this application, you will not need to cut large holes in your vehicle's panels for the tweeters. You will only need to drill a hole for the wires and two smaller holes for the mounting screws. This application is useful when mounting the tweeters to a panel that has insufficient clearance behind it for the tweeter's magnet structure.

Using the fixture as a template, mark the screw hole locations and a location in the center of the fixture for the wire hole. Remove the fixture and drill pilot holes for the screws and a 3/32-inch (2.4 mm) for the wires. Use the supplied #6 x 1-inch sheet metal screws to secure the fixture as shown in Diagram I (hand-tighten). Run the tweeter's wires through the hole and insert the tweeter until it snaps into place.

## DIAGRAM H: FLUSH-MOUNT TWEETER INSTALLATION



## DIAGRAM I: SURFACE-MOUNT TWEETER INSTALLATION







## LIMITED WARRANTY - AUTOMOTIVE SPEAKER SYSTEMS (USA)

JL AUDIO warrants these speakers (and crossover networks, where applicable) to be free of defects in materials and workmanship for a period of **one (1) year**.

This warranty is not transferable and applies only to the original purchaser from an authorized JL AUDIO dealer. Should service be necessary under this warranty for any reason due to manufacturing defect or malfunction, JL AUDIO will (at its discretion), repair or replace the defective product with new or remanufactured product at no charge. Damage caused by the following is not covered under warranty: accident, misuse, abuse, product modification or neglect, failure to follow installation instructions, unauthorized repair attempts, misrepresentations by the seller. This warranty does not cover incidental or consequential damages and does not cover the cost of removing or reinstalling the unit(s). Cosmetic damage due to accident or normal wear and tear is not covered under warranty.

Any applicable implied warranties are limited in duration to the period of the express warranty as provided herein beginning with the date of the original purchase at retail, and no warranties, whether express or implied, shall apply to this product thereafter. Some states do not allow limitations on implied warranties, therefore these exclusions may not apply to you. This warranty gives you specific legal rights, and you may also have other rights which vary from state to state.

### **If you need service on your JL AUDIO product:**

All warranty returns should be sent to JL AUDIO freight prepaid through an authorized JL AUDIO dealer and must be accompanied by proof of purchase (a copy of the original sales receipt.) Direct returns from consumers or non-authorized dealers will be refused unless specifically authorized by JL AUDIO with a valid return authorization number. Warranty expiration on products returned without proof of purchase will be determined from the manufacturing date code. Coverage may be invalidated as this date is previous to purchase date. Return only defective components. If one speaker fails in a system, return only that speaker component, not the entire system. Non-defective items received will be returned freight-collect. Customer is responsible for shipping charges and insurance in sending the product to JL AUDIO. Freight damage on returns is not covered under warranty.

### **For Service Information in the U.S.A. please call**

**JL Audio Customer Service:** (954) 443-1100

9:00 AM – 5:30 PM (Eastern Time Zone)

### **JL Audio, Inc**

10369 North Commerce Pkwy.

Miramar, FL 33025

### **International Warranties:**

Products purchased outside the United States of America are covered only by that country's distributor and not by JL Audio, Inc.